

## 1. Test method

### • NEMA LD3 – 3.5

The test measures the ability of the surface of high-pressure decorative laminate to maintain its color and surface finish when subjected to boiling water.

### • Test sample

The sample shall be at least 200 X 200 mm(8X8 inches)

### • Test procedure

- a. Fill the heating vessel to 12mm(1/2inche) from the rim with water and heat it unit the water boils vigorously.
- b. With the tongs, carefully remove the vessel from the hot plate and pour approximately 10ml of boiling water on the horizontal surface of the test specimen and set the vessel containing the remainder of the boiling water in this puddle.
- c. A flat-bottom heating vessel in accordance with drawing on next page.
- d. Allow the vessel to remain in the place for 20 minutes.
- e. Remove the vessel with the tongs. Wipe the specimen with a clean, soft, white cloth to remove any residual contaminants and dry thoroughly. Allow the specimen to stabilize at room temperature for a minimum of 24 hours.
- f. Examine the conditioned test specimen by placing it, without pre-inspection, on a table and then view it at an eye-to-specimen distance of approximately 750 to 900mm(30 to 36 inches) and at an angle of approximately 45° to 75° from the horizontal plane of the table and viewed from all directions. Direct sunlight sources, which will accentuate or minimize the effect, shall be avoided.

## 2. Test result

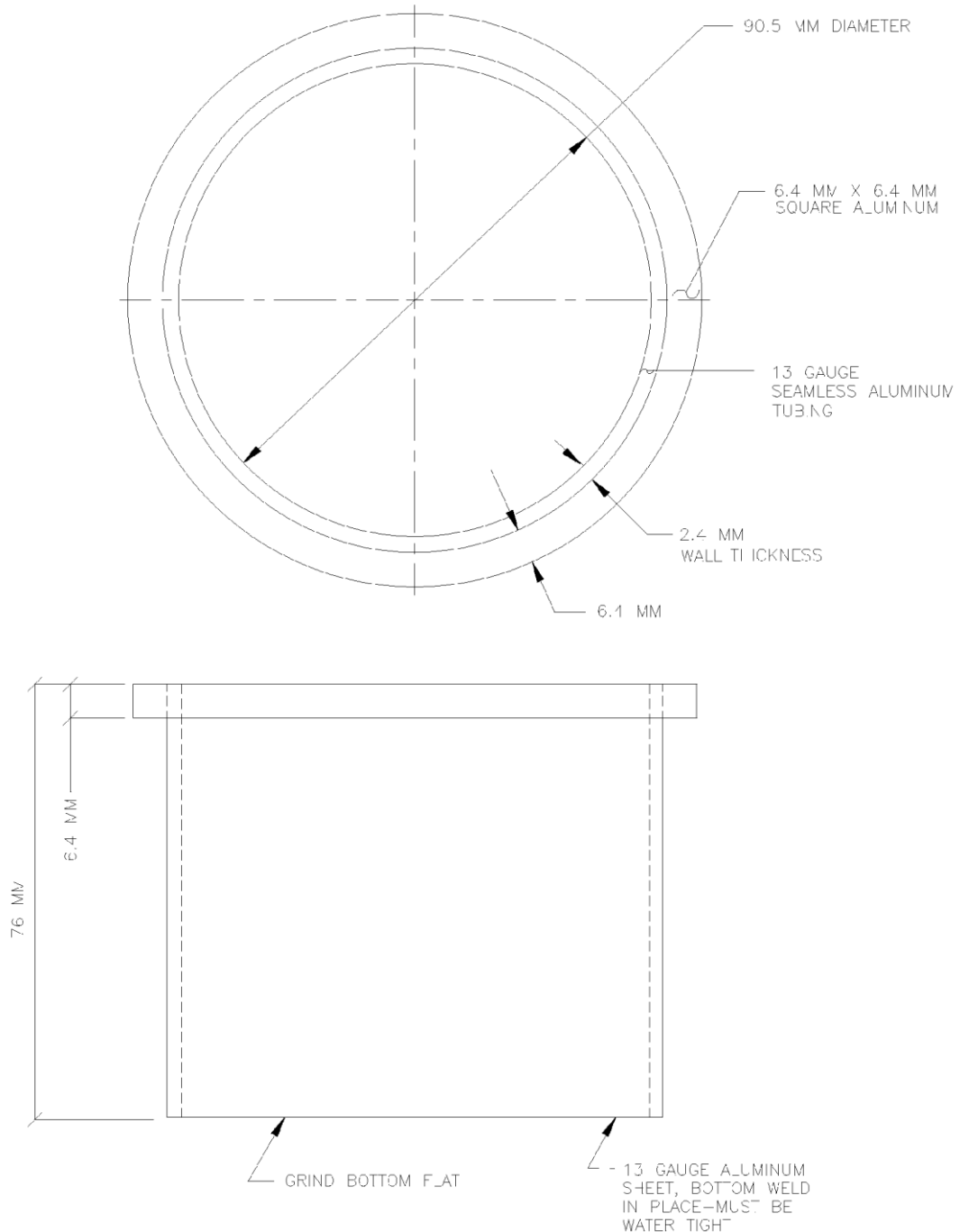
Blisters	Crazing	Whitening	Cracking	Dulling
No effect	No effect	No effect	No effect	No effect

\* No Effect : No change in color or surface finish

*This Technical Bulletin is intended to provide guidelines for optimal fabrication, installation, and performance of Lotte Chemical Corp. products mentioned. Though the information contained herein is deemed reliable, none of the contents--including but not limited to the instructions, techniques, graphics, and recommendations--is to be understood as implying legal liability of fitness for a specific purpose, any other type of warranty, or being complete or absolute in its range and nature of information.*

*Depending on the user's particular application, all necessary measures must be taken to verify and test the adequacy for such needs or application. Any information or recommendation herein is strictly for purposes of reference and as such, Lotte Chemical Corp. assumes no responsibility for its suitability or accuracy or the use of such information for products other than Lotte Chemical Corp. Staron<sup>®</sup> solid surfaces & Radianz<sup>®</sup> quartz surfaces.*

## Heating Vessel



*This Technical Bulletin is intended to provide guidelines for optimal fabrication, installation, and performance of Lotte Chemical Corp. products mentioned. Though the information contained herein is deemed reliable, none of the contents—including but not limited to the instructions, techniques, graphics, and recommendations—is to be understood as implying legal liability of fitness for a specific purpose, any other type of warranty, or being complete or absolute in its range and nature of information.*

*Depending on the user's particular application, all necessary measures must be taken to verify and test the adequacy for such needs or application. Any information or recommendation herein is strictly for purposes of reference and as such, Lotte Chemical Corp. assumes no responsibility for its suitability or accuracy or the use of such information for products other than Lotte Chemical Corp. Staron<sup>®</sup> solid surfaces & Radianz<sup>®</sup> quartz surfaces.*